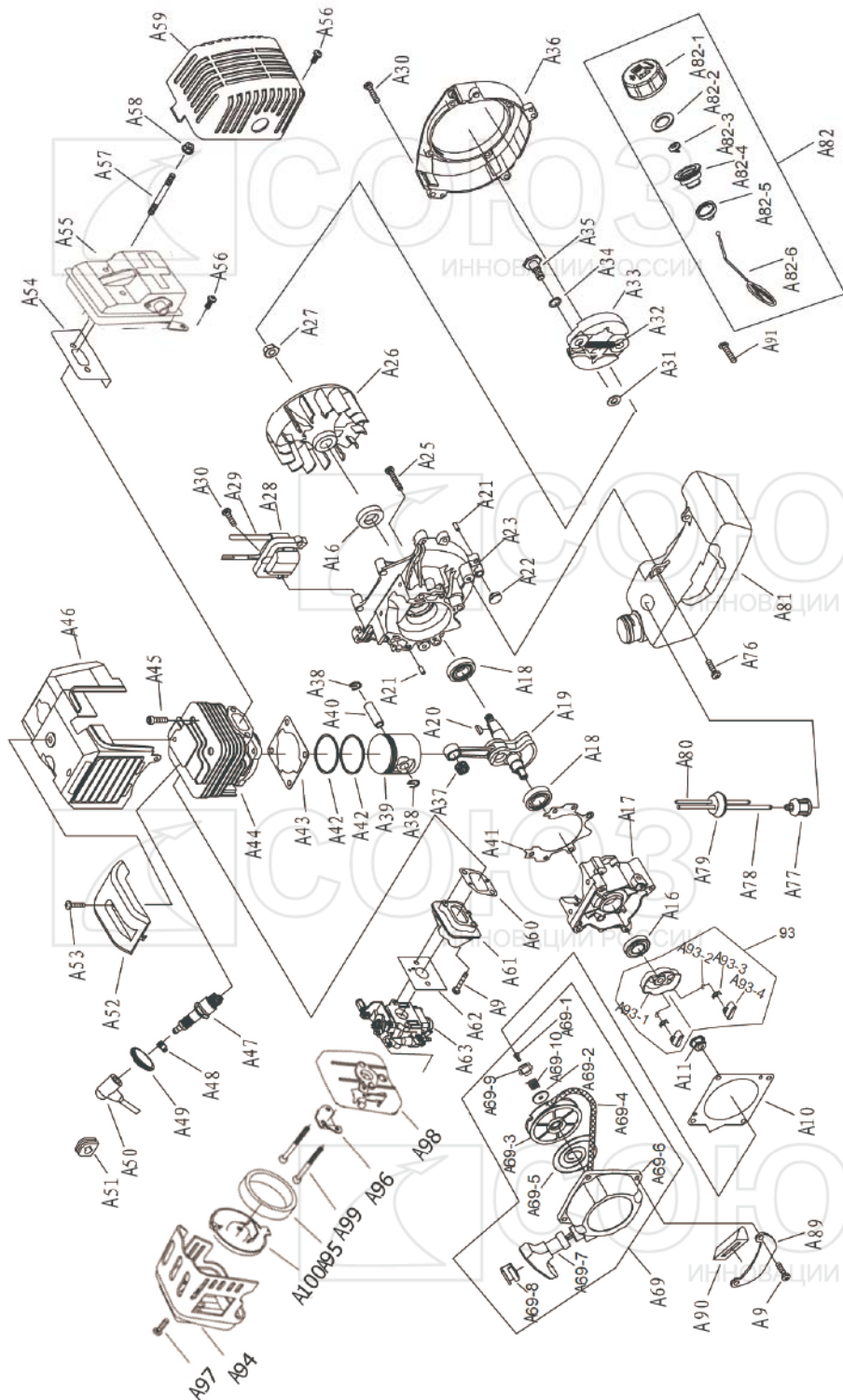


ББС-1530

NO.	DESCRIPTION
A1	NUT
A2	SCREW
A3	HANDLE BRACKET
A4	CLUTCH TRAY
A5	GEAR BOX COVER
A6	BEARING R10
A7	SNAP RING
A8	PIN
A9	48 TEETH GEAR
A10	44 TEETH GEAR
A11	MIDDLE SHAFT
A12	PAPER WASHER
A13	GEAR BOX
A14	SCREW
A15	SPINDLE
A16	BEARING 6004RS
A17	SCREW
A18	7 TEETH SHAFT
A19	SWITCH
A20	HANDLE

RU-SO20160921 VER:2.1





ENGINE FOR ББС-1530

NO.	DESCRIPTION	NO.	DESCRIPTION	NO.	DESCRIPTION
A9	SCREW M5X20	A44	CYLINDER	A69-10	EASY START COIL SPRING
A10	GASKET	A45	SCREW	A76	SCREW M5X16
A11	NUT	A46	GUIDE COVER ASSY	A77	CLEANER COVER
A16	OIL SEAL	A47	SPARK PLUG	A78	OUTLET FUEL PIPE
A17	CRANK CASE	A48	SPRING	A79	PLUG
A18	BEARING 6202	A49	PLUG COVER	A80	INLET FUEL PIPE
A19	CRANKSHAFT	A50	PLUG CAP	A81	FUEL TANK
A20	KEY	A51	PLUG	A82	LID ASSY
A21	PIN	A52	UPPER COVER	A82-1	FUEL TANK LID
A22	RUBBER WASHER	A53	SCREW	A82-2	GASKET
A23	CRANK CASE	A54	GASKET	A82-3	INLET
A25	SCREW M5X30	A55	MUFFLER	A82-4	INSIDE COVER
A26	MAGNETO ROTOR COMP	A56	SCREW	A82-5	LID
A27	NUT	A57	BOLT	A82-6	CHAIN
A28	IGNITION COLL COMP	A58	NUT	A89	STAND
A29	CORD COMP	A59	MUFFLER COVER	A90	RUBBER COVER
A30	BOLT M5X20	A60	GASKET	A91	SCREW M5X20
A31	WASHER	A61	ADMITTING PIPE	A93-1	STARTER PULLEY ASSY
A32	SPRING	A62	GASKET	A93-1	STARTER REEL
A33	EXPANDER	A63	CARBURETOR	A93-2	STOP RING
A34	WASHER	A69	STARTER	A93-3	STARTER PAWL SPRING
A35	SCREW PIN	A69-1	SCREW	A93-4	STARTER PAWL
A36	FAN COVER	A69-2	WASHER	A94	AIRFILTER COVER
A37	BEARING 10X13X16	A69-3	START POPE REEL	A95	AIR CLEANER
A38	RING	A69-4	POPE	A96	AIRFILTER COVER SEAT
A39	PISTON	A69-5	RECOIL SPRING	A97	SCREW
A40	PISTON PIN	A69-6	START COVER ASSY	A98	CHOKE SEAT ASSY
A41	GASKET	A69-7	START HANDLE	A99	SCREW
A42	PISTON RING	A69-8	RING	A100	CIRCULAR COVER
A43	GASKET	A69-9	START RATCHET		

RU-SO20160921 VER:2.1